

User Quick Guide

快速使用指南
Model: 22HD
22HD Pro

BOSTO[®]

1 开箱检查: Incoming inspection

A)检查产品外箱是否完好无损；

Check that the packaging is not damaged.

B)阅读快速指南,检查配件盒中附件。

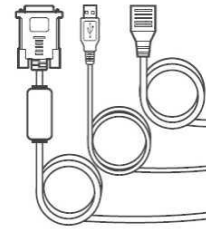
Read the quick guide and check the contents.



手绘屏Digital Panel



支撑脚Stand



信号线VGA, HDMI & USB Cables



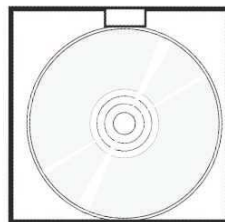
Stylus, Metal Ring, Nibs 压感笔(笔芯, 笔芯更换器)



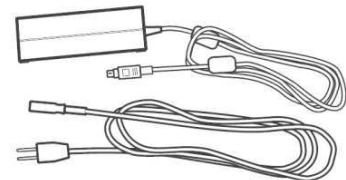
螺丝&螺丝刀 Screws & Screw Driver



清洁布 Cleaning Cloth



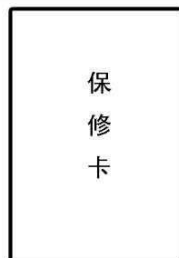
驱动Driver CD



电源线 Power Adapter with Cables



说明书 Quick Guide



保修卡Warranty Card



手套Glove

注意：如果上述附件欠缺或损坏请速与您的经销商联系。

Note: If any deficiency or damage please contact your local dealer immediately.

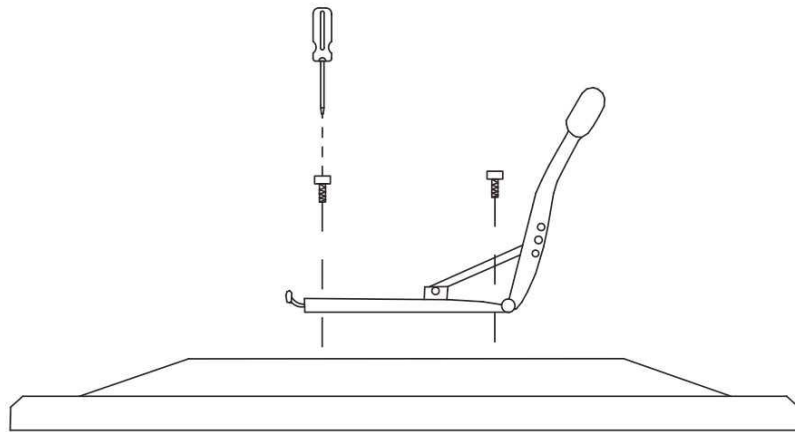
2 支撑脚装配及使用

Stand assembly and adjustment

A) 支撑脚装配 Stand assembly:

把产品屏幕朝下，平放在桌面上，确认好支撑脚的方向和位置，从包装中取出螺丝刀及4个螺丝，把支撑脚锁在底壳上，请注意放置产品前需检查桌面平整且不能有任何异物，以免损坏屏幕表面；

Place the unit face down on a flat table, align the stand with the four mounting holes in the bottom shell, and secure with the four screws.



B) 调整支撑脚角度 Stand adjustment: :

为方便设计人员使用，可以通过拉起Stand顶部的扳扣释放机关向上或向下调整角度,整个过程可以单手操作完成;

Lift the release handle at the top of the stand and pull the unit up/down to the desired angle. This process may be done with just one hand.



注意：在操作过程中，请选择合适的环境并注意保护好屏幕，人为损坏不属于保修范围；

Note: Please select the appropriate operating environment and pay attention to protecting the screen. Man-made damage is not covered by the warranty.

3 信号线连接 Cable Connection

本产品配有VGA线，HDMI线，电源线和USB线，使用时，请按以下顺序连接
This unit is supplied with VGA, HDMI, and USB cables, and a power adapter with input and output cables.

A) 连接电源线 (12V, 2A) ;

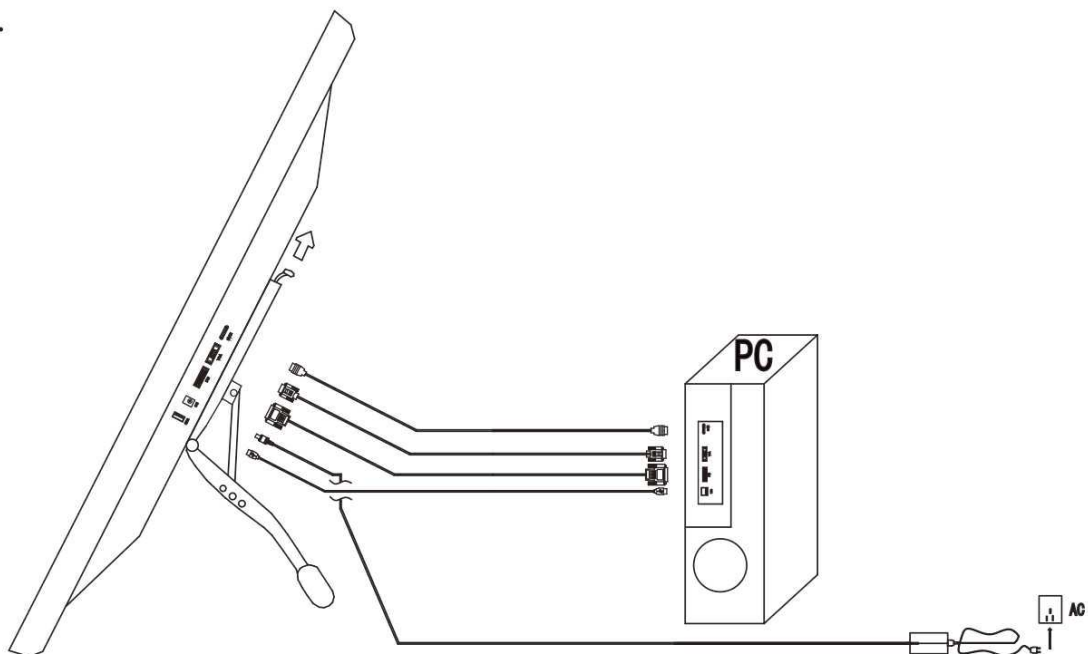
Power connection: Connect the power adapter to the AC wall socket and to the DC input on the unit.

B) 连接信号线: 本产品支持VGA，HDMI，DVI 三种信号线，客户可以选择其中一种连接到电脑

Display connection: Connect the computer to either the VGA, HDMI or DVI port on the unit.

C) 连接USB数据线 : USB线用于传输绘图笔信号，请注意连接正确，如果松动，绘图笔无法使用；

Tablet connection: Connect the computer to the USB IN port on the unit.



注意：建议使用DVI或者HDMI高清连接，显示效果更稳定

Note: A high-definition DVI or HDMI connection is recommended for best results.

4 数位笔驱动安装及使用

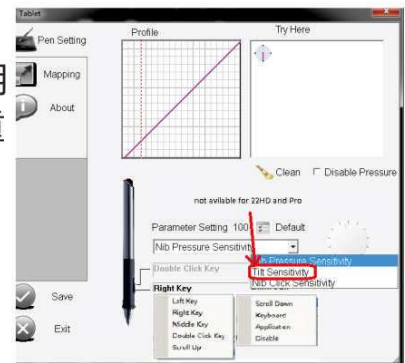
Tablet driver installation and operation

4.1 数位笔驱动安装 Tablet driver installation:

- 4.1.1 . 确保设备接线正确，启动数位屏，确认已完全卸载同类其它手写驱动
Ensure that all connections are secure, power on the unit, and completely uninstall any other tablet drivers.
- 4.1.2 . 将CD插入光驱，根据电脑的操作系统选择合适的安装驱动，执行"SETUP"安装文件，按程序指引完成驱动安装；
Insert the driver CD, open the "Driver" folder, double click the setup file corresponding to your operating system, and follow the prompts to complete the tablet driver installation.
- 4.1.3 . 安装完成后，可以在开始菜单程序列表及控制面板中看到相应数位屏图标
After installation the tablet icon can be found in the Windows Start Menu and Control Panel.

4.2 数位笔使用 Stylus usage:

- 4.2.1 . 本产品支持2048级压力传感。在支持压力感应用软件下，选择压力感应的级别，根据使用时的轻重不同，可以让数位笔反应更加自然、逼真，生动。
The stylus offers 2048 levels of pressure sensitivity. Application software that supports pressure sensitivity will have controls to adjust the response of various drawing tools.
- 4.2.2 . 快捷键:手绘笔笔身上有一个快捷键,可以作为鼠标右键或其它功能使用；
The side switch on the stylus can be assigned as mouse right click or any other function.
- 4.2.3 . 更换笔芯:笔芯为易损件,长期使用过程中会有磨损，需要更换；更换时用配件中的换笔金属环夹住旧笔芯轻轻往外拉出，用手指捏住新的笔芯往里塞入即可；
The stylus nib will eventually wear down and need to be replaced. Clamp the metal ring over the nib and gently pull it out of the stylus body. Gently insert a new nib into the stylus body by hand.



注：数位笔使用时可以倾斜45度，但如果超过45度，精度会有影响
Note: Accuracy of the stylus will be affected if the angle of inclination is less than 45°.

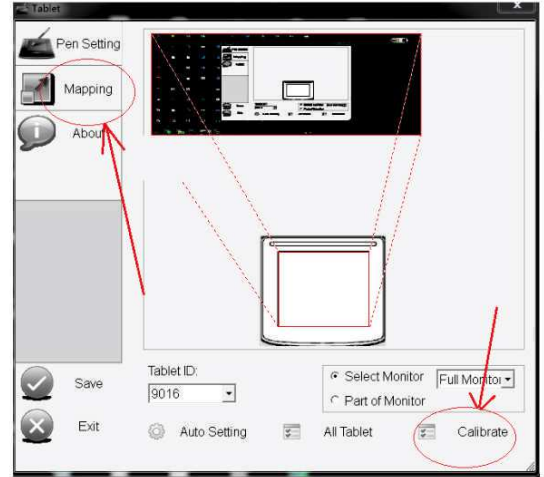
5 屏幕校准 Calibration

5.1 设置屏幕分辨率：把屏幕显示分辨率调整到推荐的1920*1080@60Hz.

Adjust the monitor to the recommended resolution of 1920 x 1080 @ 60Hz

5.2 为获得最佳性能，必须做屏幕校准，这可以补偿视角，以及调整视差。把22HD按正常工作状态摆放，然后按照下面的步骤。

Please arrange the unit and yourself in the normal working position before you proceed. This is very important in order to minimize the effect of parallax error. Calibration will then align the cursor accurately with the position of the pen on the screen.

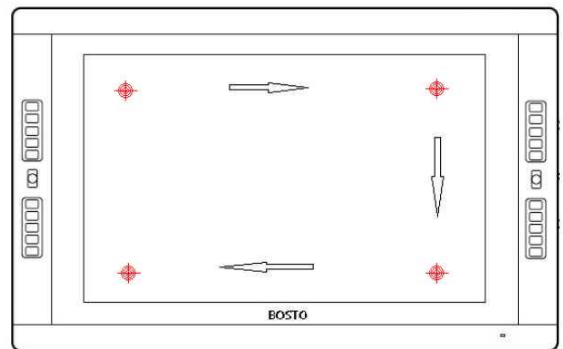


5.3 打开BOSTO控制面板，点击在控制面板的左上方图标“映射”，然后点击控制面板右下角的“校准”，激活屏幕校准程序。

握着数位笔，保持正常工作时的头部位置和视角，用笔尖点击左上角的十字中心，然后依次点击右上角，右下角，左下角的红色准星，单击OK接受校准数据并单击“保存”以激活，用数位笔在显示屏上的几个不同点测试校准，确认校准效果；

Open the Bosto Tablet control panel, click the Mapping tab and then select Calibrate to activate the calibration screen. Position your head and hold the pen as you normally do when working.

Now tap the pen tip on the centre of the crosshairs in the upper left, upper right, lower right and lower left corners. Click OK and then Save. Test the alignment by positioning the pen at a few different points on the display.



提示：如果校准后看到实际光标位置相对于笔尖有些偏差，在校准时点击离准星相应偏移量的位置作为补偿，例如，如果需要把屏幕光标设置在笔尖上方2.5mm（1 / 第十英寸）及偏左的位置，校准时就点击准星下方2.5毫米并且偏右的位置；

Tip: You can compensate when calibrating by tapping the pen tip away from the centre of a crosshair. For example, to have the cursor appear 2.5mm above and to the left of the pen tip, calibrate by tapping 2.5mm below and to the right of the crosshair.

6 快捷键驱动安装及使用

Express key driver installation and customization (22HD Pro)

1) 执行"SETUP"安装文件(附件CD文件中)，根据电脑的操作系统选择合适的安装驱动，安装完成后，在程序的最底部会显示"USB Connected"

Double click the setup file on the driver CD and select the appropriate driver for your operating system. When the driver is installed a status message "USB Connected" will appear at the bottom of the driver control panel.

2) 第1-4，第6-9 按键为快捷键，第5，6按键为切换键，用于切换滚轮功能

Buttons 1-4 and 6-10 are keyboard shortcuts, and buttons 5-6 are toggle switches for wheel functions.

3) 设置新的快捷键程序：点击SET Up，输入自定义名称，通过键盘输入各按键对应的快捷程序，然后点击SAVE键保存；

To create a new program (set of button assignments) click SET UP and enter a program name. Now use the keyboard to input your desired shortcuts and click SAVE.

4) 改变原有快捷键程序：当需要更换快捷键程序时，选择需要激活的快捷键程序，然后退出即可；

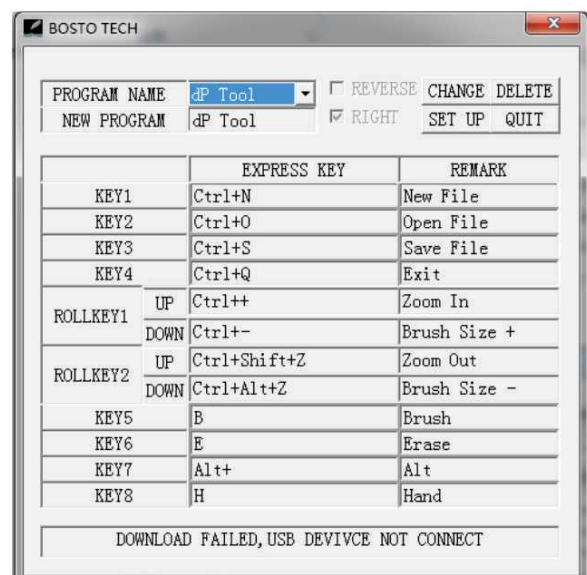
To change button assignments select a program from the drop-down list, click CHANGE, input your desired shortcuts and click SAVE.

5. 界面解释：A) 在底部信息显示快捷键是否连接正常，同时显示程序是否成功更新；

B) 程序设计时的默认值是针对右手绘画，左手操作快捷键，如使用者是用左手绘画（也就是说用右手操作快捷键），则在设置快捷键程序前，需要先勾选RIGHT图框；

Interface explain: A) Status messages indicate whether or not the USB connection is healthy and the program is updated successfully.

B) The default setting is for right-handed users. If you are left-handed (use your right hand for the buttons) then tick the RIGHT checkbox before assigning your shortcuts.



7 Troubleshooting

不良现象 Problem	检查 Solution
无画面 No picture	<ul style="list-style-type: none">●检查电源及信号线是否确实接上 Check power and display cable connections●检查数位屏的电源开关是否打开 Check that the unit's power switch is on●调整亮度及对比度 Adjust the brightness and contrast
屏幕颜色异常或不同步 Unusual display characteristics	<ul style="list-style-type: none">●检查视频线是否与电脑连接正确,紧固; Check/fasten display cable connection to the computer●检查电脑显卡是否支持数位屏分辨率 Check whether the computer graphics card supports the digital panel resolution
画面不在屏幕的中间位置 Display is not centred	<ul style="list-style-type: none">●使用OSD"水平调整"与"垂直调整"的选项来调整画面(只在VGA信号线连接时工作) Use the unit's 'level adjustment' and 'vertical adjustment' options (only applicable to VGA connection)
画面出现抖动或水波纹 Screen appears to shake or wave	<ul style="list-style-type: none">●打开屏幕OSD,做一次自动调整 Perform an automatic adjustment●自动调整无效,请检查是否周围有磁性的东西影响 Check for the disturbance of magnetic fields from other equipment
数位笔无功能 Stylus not functioning	<ul style="list-style-type: none">●确认与电脑相连的USB是否连接稳固 Check the USB cable connections●安装驱动时是否有卸载其它手写产品驱动 Ensure that all other tablet drivers are uninstalled
光标乱跑 Cursor runs around	<ul style="list-style-type: none">●请将USB Cable拔掉重插或重启电脑 Reconnect the USB cable and/or restart the computer
笔尖精准度不够 Poor drawing precision	<ul style="list-style-type: none">●在使用时,笔的倾斜角度过大 Pen tilt angle not steep enough●检查屏幕显示分辨率属于推荐分辨率,重新校准 Check that the recommended display mode is selected, Recalibrate the tablet
校准无效 Invalid calibration	<ul style="list-style-type: none">●在完成校准后,需要确认两次才会生效,除了确认弹出的对话框之外,同时还要点击控制面板上的"保存"才能生效 Confirm twice after performing calibration in addition to confirming the pup-up dialogue box, and click the 'save' button.